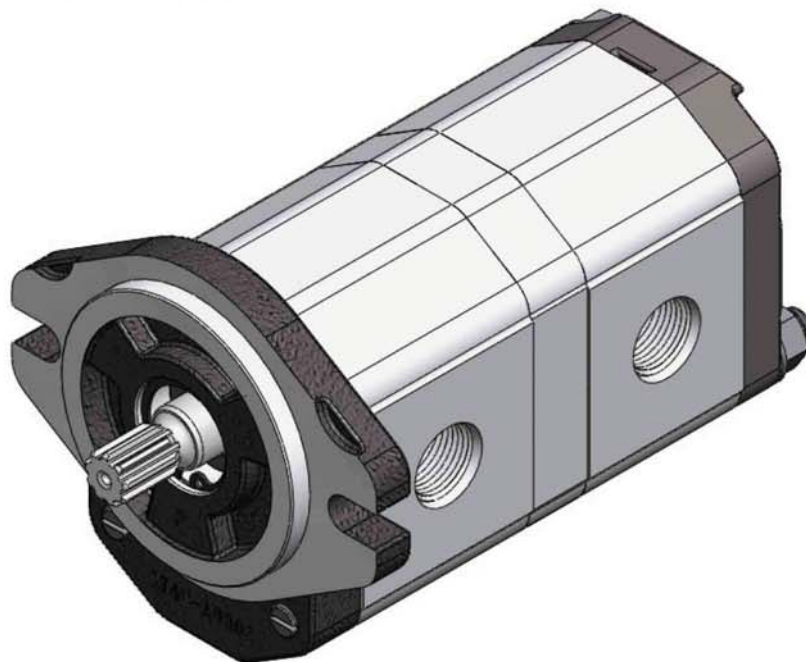


097 系列

齿轮泵及马达 PUMPS AND MOTORS



高压小排量重型铝合金齿轮泵及马达

HIGH PRESSURE SMALL DISPLACEMENT HEAVY DUTY ALUMINIUM ALLOY PUMPS AND MOTORS

特点

- 本系列高压齿轮泵最高压力可达32MPa
- 排量从2ml/r-36ml/r
- 结构简单、重量轻、使用稳定可靠和寿命长的特点
- 高强度合金钢齿轮轴提高了泵的压力级别
- 多齿数齿轮设计有效降低了泵的噪音
- 使用特殊结构的浮动轴套和高稳定性DP31滑动轴承使泵在高压下工作时仍然具有高的容积效率
- 泵和马达均有多种联接形式，联接尺寸符合SAE标准
- 可按用户要求设计成单联泵或多联泵

FEATURES

- High pressure gear pump with maximum pressure up to 4640 PSI
- Displacements from 0.12 cubic inch to 2.20 cubic inch
- Simple structure, small size, durable and longer life
- High strength alloy steel gear shafts greatly advanced the operating pressure grade
- The design of multi-teeth gears decreased the pump noise
- Special structured floating bush and high quality DP31 self-lubricating bearing provide durable service & high pump efficiency under high pressure
- A wide range of porting, mounting and shaft options available for SAE and European standards
- Customized single and multiple unit options available



性能 PERFORMANCE

齿轮泵 Gear Pumps

Displacement 排量	Rated Pressure 额定压力	Max Pressure 最高压力	Working Speed RPM 工作转速		Input Power 输入功率	Input Torque 输入扭矩
			Max 最高	Min 最低		
ml/rev	MPa	MPa			KW	N.M
2.0	25.5	30.0	4000	600	3.072	9.023
3.0	25.5	30.0	4000	600	4.608	13.535
4.5	27.5	32.0	4000	600	7.455	21.894
6.4	27.5	32.0	4000	600	10.602	31.139
7.0	27.5	32.0	4000	600	11.596	34.058
8.0	27.5	32.0	3600	600	13.253	38.924
9.6	27.5	32.0	3600	600	15.903	46.709
11.5	27.5	32.0	3600	600	19.051	55.953
12.5	27.5	32.0	3600	600	20.708	60.819
14.0	27.5	32.0	3300	600	23.192	68.117
16.0	25.5	30.0	3000	600	20.482	72.186
18.0	25.5	30.0	3000	600	23.042	81.210
19.0	23.5	27.5	2800	600	22.415	78.998
21.0	23.5	27.5	2800	600	24.774	87.314
23.0	23.5	27.5	2800	600	27.133	95.629
25.0	20.0	23.5	2500	600	20.080	88.464
28.0	20.0	23.5	2500	600	22.489	99.079
32.0	17.0	20.0	2300	600	21.847	96.249
36.0	17.0	20.0	2300	600	24.578	108.280

齿轮马达 Gear Motors

Displacement 排量	Rated Pressure 额定压力	Max Pressure 最高压力	Output Speed RPM 输出转速		Output Power 输出功率	Output Torque 输出扭矩
			Max 最高	Min 最低		
ml/rev	MPa	MPa			KW	N.M
2.0	23.5	27.5	3500	800	1.88	6.735
3.0	23.5	27.5	3500	800	2.82	10.103
4.5	25.5	30.0	3500	600	4.59	16.444
6.4	25.5	30.0	3500	600	6.53	23.388
7.0	25.5	30.0	3500	600	7.14	25.581
8.0	25.5	30.0	3500	600	8.16	29.235
9.6	25.5	30.0	3200	600	9.79	35.082
11.5	25.5	30.0	3200	600	11.73	42.026
12.5	25.5	30.0	3200	600	12.75	45.681
14.0	25.5	30.0	3000	600	14.28	51.162
16.0	20.0	23.5	2800	600	10.67	45.860
18.0	20.0	23.5	2800	600	12.00	51.592
19.0	20.0	23.5	2500	600	12.666	54.458
21.0	20.0	23.5	2500	600	14.000	60.191
23.0	20.0	23.5	2500	600	15.123	65.923
25.0	18.0	21.0	2000	600	12.000	64.490
28.0	18.0	21.0	2000	600	13.440	72.229
32.0	15.0	18.0	2000	600	12.799	68.789
36.0	15.0	18.0	2000	600	14.400	77.389